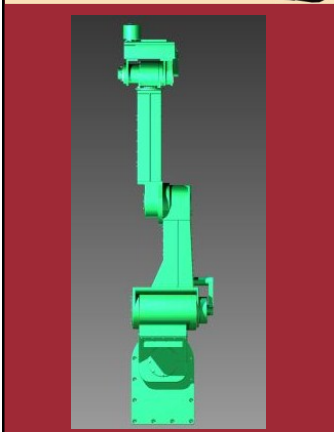
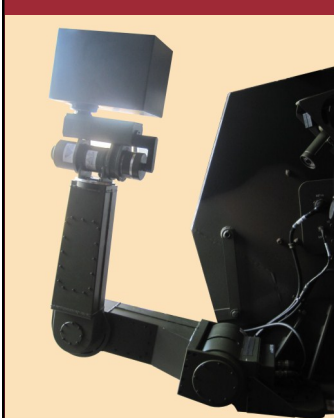




BRA

6 axis Robot Arm



- Six Axis Rugged Robotic Arm
- Aluminum Housing designed to withstand Shock and Vibration
- Stainless Steel for the Most Critical Part
- Low Weight
- Low Voltage Power Supply
- High Torque
- Fully Sealed Design
- Full Range of High Performance
- Customizable I/O Military connector
- Waterproof IP67
- Both Inverse and Direct Kinematic Implemented
- Joystick 3 Axis and 4 Buttons to Control the End Effector
- Serial Bus Communication RS485
- Hardware & Software Limits
- Emergency Stop
- Vehicle Mounting Compliant
- Wide Work Envelope



MODEL 6 AXIS ROBOTIC ARM

Loads—Dimensions—Weights

| | |
|----------------------|-----------------------------|
| Rated payload | 10Kg |
| Max payload | 20Kg (At minimum extension) |
| Weight: | 74 Kg |

Maximum Length: 1913mm

Link 1->2 Length: 245mm

Link 2->3 Length: 520mm

Link 3->4 Length: 532mm

Link 4->5 Length: 79mm

Link 5->6 Length: 232mm

Axis 1 rotation: 360° (+180°/-180°)

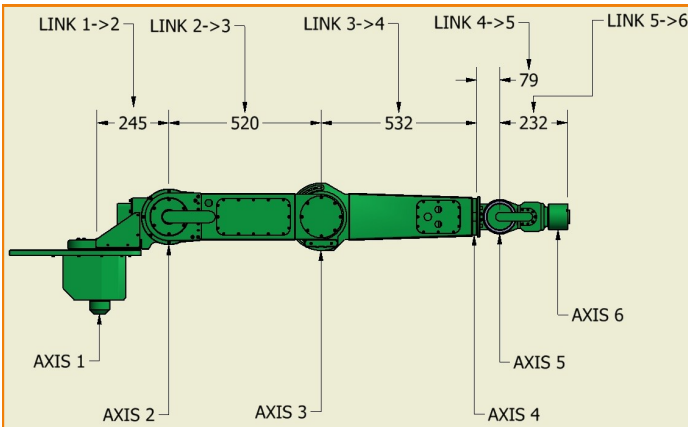
Axis 2 rotation: 180° (+77°/-103°)

Axis 3 rotation: 300° (+150°/-150°)

Axis 4 rotation: 360° (+180°/-180°)

Axis 5 rotation: 195° (+100°/-95°)

Axis 6 rotation: 360° (+180°/-180°)



I/O Connectors

| | |
|--------------|--------------------|
| Port: | 1 x USB 2.0 |
| | 2 x RS 485 |
| | 1 x LAN/Ethernet |
| | 1 x Emergency stop |

All connectors are military

User Control

| | |
|-----------------|-----------------------------------|
| Control: | Tablet PC 10" rugged PVR10 |
| | USB Joystick to control each axis |

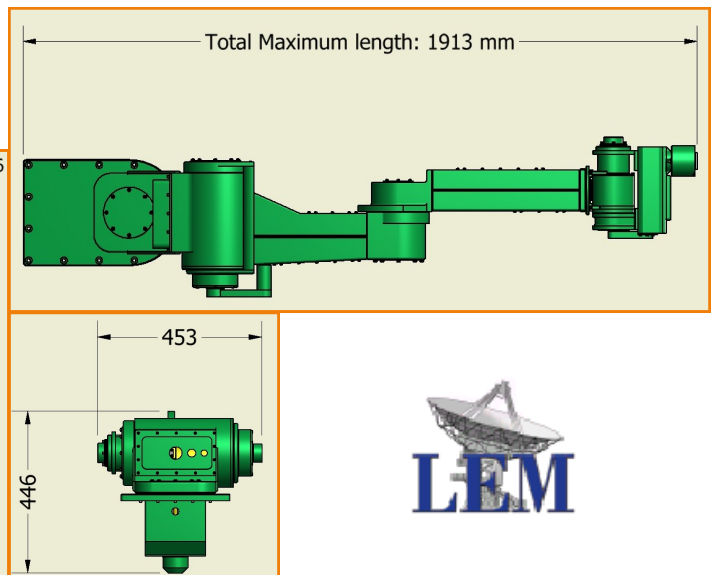
Power Supply

| | |
|---------------------|------------------|
| Power Input: | 24 Vdc (Nominal) |
|---------------------|------------------|

Mechanical and Environment

Dimension: (1913 x 453 x 446) mm

Color: Green



Options

Tablet PC with

SW interface: Rugged tablet PC 10" touch screen (PVR10) with software interface for a basic set of robot's operations

Gripper: Gripper with parallel fingers

Ethernet camera: Up to 2 ethernet cameras to control the movements of the robot

Operation Temp.: -32°C to +60°C

Vibration: MIL-STD-810G M.501—M.502—M503

Shock: MIL-STD-810F M.514

Protection class: MIL-STD-810F M.516

Electromagnetic: MIL-STD-810F M.519

Solar Radiation: IP67 (FINABEL 2C10)

Fungus: MIL-STD-810G—M.506—M.510

Operation Temp.: MIL-STD-461C RE02—ARMY

Solar Radiation: MIL-STD-810G M.505

Fungus: MIL-STD-810G M.508